

Housekeeping / Room attendant trolleys

Tauro 800/2 MONO

Essential efficiency



Standard equipment

- 1 compartment for amenities.
- 3 levels for storage of clean linen.
- 2 fixed and 2 swivelling polyamide wheels Ø 160 mm.
- 1 garbage bag holder with lid and 1 raising base with integrated corner pads.
- 1 dirty linen bag holder and 1 raising base with integrated corner pads.
- Linen bag 160 L black.

TAURO 800/2 MONO

Finishes

Compact



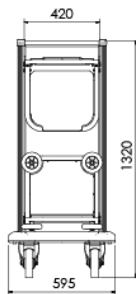
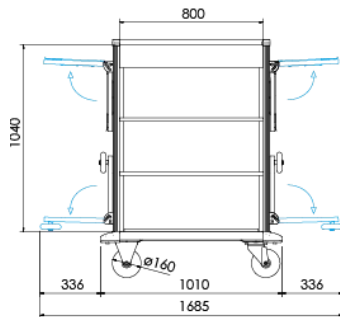
Wenge

Anodisation



Natural

Dimensions



TAURO 800/2 MONO

Overall dimensions

Width	Depth	Height	Wheels Ø
1010 mm	595 mm	1320 mm	160 mm

Inside dimensions

Width	Depth
800 mm	420 mm