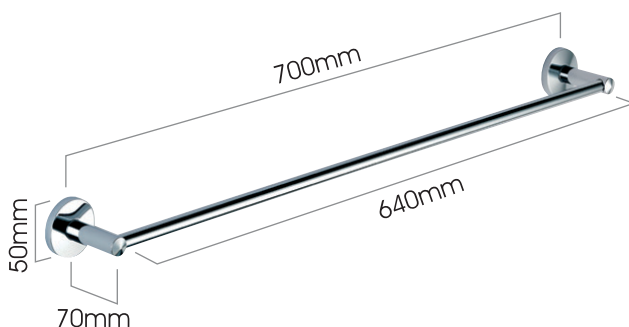




Aslotel Towel Rail

Product Code:
E002057



Aesthetics

Colour:
Chrome

Finish:
Polished chrome

Material:
Brass with chrome plating

Technical Information

Dimensions (mm):

As shown above

Construction:

Brass with chrome plating

Warranty:

One year from date of purchase on faulty parts

HS code:

8302419000

Maintenance & Care

Clean with a dry, non-abrasive cloth – **do not** use abrasives or solvents.