

aslotel

relationship • experience • choice

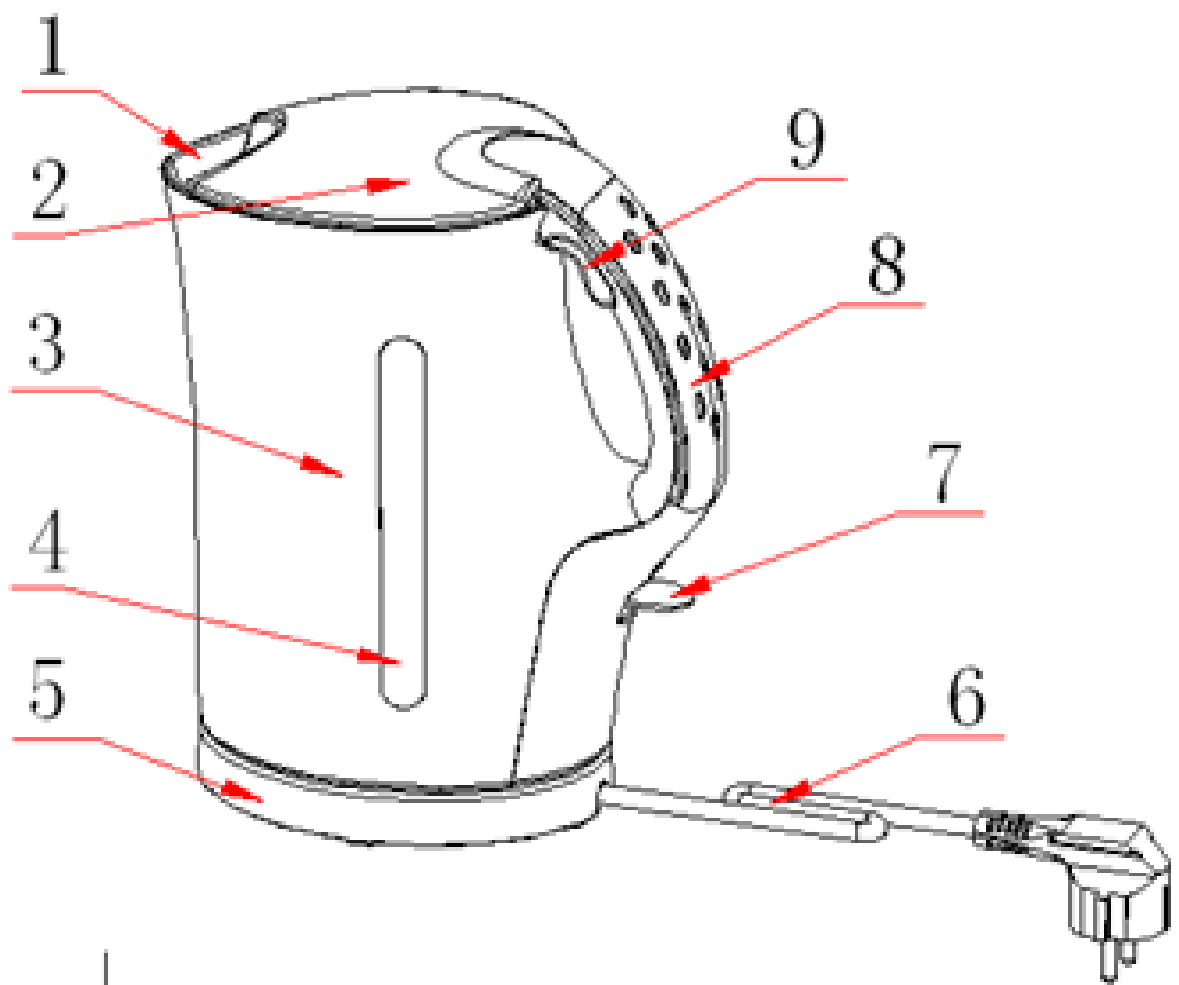
850w 1 litre cordless kettle



product codes : E005055 (UK)

model no : WK-9980 220-240V AC / 50Hz

Ver.01/Dec 2015



For your safety



These operating instructions contain important safety information together with instructions on the proper use of this appliance.

Read these instructions carefully and in full, keep them in a safe place and pass them on to any subsequent owner.

These safety instructions are intended for your safety.

- This electrical appliance complies with all relevant EU safety regulations.
- Always use the appliance for the appropriate purpose for which it was designed.
- **This appliance can be used by children from the age of 8 up as well as by persons with reduced**

physical, sensory or mental abilities or lacking experience and / or knowledge, only if these persons are supervised or have been instructed how to use the appliance safely and have understood the hazards which could arise from using it. Children must not play with this appliance. Cleaning and user maintenance must not be carried out by children unless they are supervised.

- Keep packaging material, e.g. plastic bags, out of the reach of children.
- Never remove the plug from the wall socket with wet hands or by pulling on the supply cord.
- Always disconnect the appliance from the mains supply and allow it to cool down before cleaning and maintenance or if faults occur during operation.

Safety instructions when connecting the appliance to the mains supply



DANGER

Risk of electric shock

To avoid the risk of electric shock through contact with live parts the following safety instructions must be observed:

- If the electric supply cord is damaged it should only be replaced by a service engineer appointed by the manufacturer or distributor.
- The voltage of the power source must be the same as that specified on the rating plate.
- Before use check that the appliance functions properly. The appliance should not be used if:
 - the electric supply cord is damaged
 - it shows signs of noticeable damage

- it has been dropped

CAUTION

To avoid the risk of personal injury or damage to the appliance always follow the instructions for installation, use and maintenance.

- If you give the appliance to another person then you should also supply them with the operating instructions.
- Connect the appliance only to an AC supply. Do not pull the supply cord over sharp edges, clamp it in place or allow the appliance to hang by its supply cord. Keep the supply cord away from hot or damp areas
- Never wind the supply cord around the appliance.
- Only insert the mains plug when the appliance is switched off.

- The appliance is only to be used with the power base “5”.
- Never place the kettle or the power base “5” on or beside hot surfaces, e.g. cooking rings, gas burners, radiators or similar.
- If an extension lead is required use only an earthed supply cord with a conductor cross section of at least 1.5mm².

Safety instructions when operating the appliance



WARNING



Do not use the appliance near bath tubs, showers, basins or other vessels containing water.



DANGER

Risk of electric shock

- Never use the appliance with wet hands. Always ensure that the power base is dry and does not come into contact with water. If the power base becomes wet remove the mains plug immediately or disconnect the fuse.



WARNING

Danger of burns from hot components

The kettle will become hot when in use. Contact with the skin can cause burns. After use always allow the appliance to cool fully before cleaning.



WARNING

Hot steam presents a scalding hazard.

Hot steam emitted by the kettle will cause scalding. Observe the maximum filling level. Never open the lid during operation.

CAUTION

To avoid the risk of personal injury or damage to the appliance through improper use always follow the safety instructions.

- Never place the kettle or the power base “5” on or beside hot surfaces, e.g. cooking rings, gas burners, radiators or similar.
- The appliance is fitted with a safety cut-out which turns the kettle off in the event that there is insufficient water. If this happens during operation wait 5-10 minutes before attempting to use the appliance again.
- The use of a residual current device (RCD) rated at 30mA or less will provide extra protection against the possibility of electric shock. A qualified electrician will be able to advise you.
- Never switch on the appliance when there is no water in it.
- Never fill the kettle beyond the maximum filling level.
- If the kettle is over-filled there is a risk that it may not switch itself off automatically.
- If the kettle is over-filled boiling water may be ejected through the spout.
- The appliance becomes hot during operation, this is normal. Only ever use the handle to pick up the kettle and pour out the water.
- Protect the appliance from direct sunlight or damp.
- The appliance is not approved or suitable for use outdoors.
- Do not place the appliance or its supply cord on hot surfaces, e.g. cooker, or near naked flames.

- Always disconnect the appliance from the mains supply and allow it to cool down before cleaning and maintenance or if faults occur during operation.
- Before use check that the appliance functions properly. The appliance should not be used if:
 - the electric supply cord is damaged
 - it shows signs of noticeable damage
 - it has been dropped
- Protect the kettle and power base from damp.
- Never immerse the appliance in water and never put it into the dishwasher.
- Never remove the plug from the wall socket with wet hands or by pulling on the supply cord.

CAUTION

To avoid the risk of personal injury or damage to the appliance through improper use always follow the safety instructions.

Safety instructions for cleaning and maintenance



Risk of electric shock

There is a risk of electric shock if the appliance comes into contact with water. Please observe the following safety instructions:

- Neither the kettle nor power base contain user-serviceable parts and must not be opened.
- For cleaning or maintenance, or if faults occur during operation, remove the plug from the mains supply and allow the kettle to cool down fully.
- Follow the instructions for descaling.

Appliance specifications

Name:	Cordless kettle with power base.
Model no:	E005055 – UK plug
Mains cord :	Max. 0.75 m
Power supply:	220-240V ~ / 50 Hz
Rated input:	750W – 900W
Filling level :	Max. 1.0 litres
Heating system :	Stainless steel element
Dimensions :	220mm(H) x 190mm(W)
Weight:	Approx. 570 g
Protection category:	Class I (earthed)

CE compliance: The appliance complies with EU Directives EMC 2004/108/EC and Low Voltage 2006/95/EC.

Parts

1. Spout (plus filter)
2. Lid
3. Kettle body
4. Water level window
5. Power base
6. Supply cord
7. On / off switch
8. Handle
9. Lid release lever

Intended use

The appliance is **only intended for boiling water. Never put milk, soup, coffee, tea or rice, etc. into the kettle.**

No liability is accepted for any damage resulting from use for any other purpose or unauthorised repairs. Warranty is void for damage or failure caused by negligence or misuse.

The kettle is not intended for catering purposes.

Initial use & operation

Before using the kettle for the first time fill it up to the maximum level (1.0 litres) and boil it. Rinse the kettle with clean water and repeat.

When connecting the power base “5” to the mains supply follow the relevant safety instructions

Using the kettle

Filling with water

- Open the lid “2” with the lid release lever “9” and fill the kettle.
- Check the filling level in the water level window “4”.

Note

If the kettle is accidentally started empty, the safety cut-out will automatically switch it off. In this case you should remove the kettle from the power base and allow it to cool down fully. Make sure that there is water in the kettle before using it again.

Switching on

- After filling close the lid “2” securely. Position the kettle on the power base and connect the power base “5” to the mains supply.

Note

If the lid is not closed properly the kettle will not shut off automatically.

- Switch on the kettle by pressing the on / off switch “7”. The heating control lamp illuminates.

Note

The on / off switch only operates when the kettle is positioned on the power base.



WARNING

Hot steam presents a scalding hazard.

Never open the lid during operation.

Switching off

- The kettle switches off automatically shortly after the water has boiled. The heating control lamp in the on / off switch “7” goes out. Note that you can switch off the kettle at any time by pulling up the on / off switch “7”.

Note

The kettle will switch off automatically when removed from the power base.

Switching back on again

- The kettle can be switched back on again after approx. 30 seconds.

Pouring the water

- Remove the kettle from the power base and pour out the hot water.

Note

During operation water vapour may condense at the base of the kettle and run over the edge of the power base. This is normal and perfectly harmless.

- If the kettle is returned to the power base any water left in it will only heat up if the kettle is switched on again.

Removing the scale filter

Before removing the scale filter first remove the kettle from the power base and allow to cool down fully. Never remove the scale filter while the kettle is in operation, still hot or full of water.

- Open the lid of the kettle and gently slide the filter upwards.
- To replace the filter push down gently ensuring that it is properly located in its guide.

Note

Do not operate the kettle without a filter or with a filter fitted incorrectly.

Cleaning and care



DANGER

Risk of electric shock

To avoid the risk of electric shock from live parts please follow these safety instructions.

- Before cleaning, disconnect the appliance from the mains.
- Never immerse the appliance in water.

CAUTION

Please observe the following safety instructions :

- Protect the appliance from dust, dirt and fluff.
- Do not use sharp or abrasive cleaning agents.
- Clean the kettle and power base with a slightly damp cloth and rinse out the kettle with clean water. Remove stubborn stains with washing up liquid.

- To get the best results check the filter regularly for the build-up of scale. Flush out under running water and use a soft brush if necessary.

Descaling

The kettle must be descaled regularly and whenever :

1. The time taken to boil the water is markedly longer.
2. The kettle cuts out too soon when boiling the water.
3. Limescale can be seen on the heating element.

Method

- Fill the kettle with approx. 300ml of water.
- Close the lid. Connect the power base to the mains and position the kettle on the power base.
- Switch on the kettle and allow to boil. Once the kettle has switched off add 125ml of descaling liquid (follow the instructions for use supplied by the manufacturer).
- Allow the descaling fluid to work for 10 minutes. Afterwards rinse out the appliance several times with fresh water and then boil again with clean water that should be poured away.
- Repeat the process if the kettle is heavily scaled.

Environmental Protection



The appliance and its packaging materials are made of materials that can be recycled.

Correct separation and disposal of waste materials helps reduce the impact on the environment.

Disposal



This symbol on the appliance, operating instructions or packaging indicates that this appliance, at the end of its useful life, may not be disposed of as normal household waste. It must be disposed of at a collection point specifically designated for the recycling of electric and electronic appliances. Materials must be recycled according to their classification. Through the correct disposal of the appliance and packaging materials you are making a valuable contribution towards the protection of the environment.

Please ask your local authority for a list of appropriate recycling points.

Aslotel producer registration number:

WEE/EJ0060TU

Guarantee

In addition to your statutory rights, Aslotel guarantee the appliance to be free from manufacturing and component defects for a period of 12 months from date of purchase. The guarantee does not cover faults due to misuse or damage caused by negligence or failure to follow these instructions.

Service

Should the appliance fail to operate check that the supply fuse is not blown and that the mains supply is switched on. If the appliance still does not work please contact our technical helpline on the number below. Please note that the appliance contains no consumer serviceable components so please do not attempt to repair it yourself.

Technical Helpline : +44 (0)1372 362533

Monday – Friday 9am to 5.30pm

E-mail : asl@aslotel.co.uk

aslotel

relationship • experience • choice

aslotel (2000) limited, pebble close, tadworth,
surrey KT20 7PA
tel +44 (0)1372 362533 fax +44 (0)1372 362284
e-mail asl@aslotel.co.uk www.aslotel.co.uk