

aslotel

relationship • experience • choice

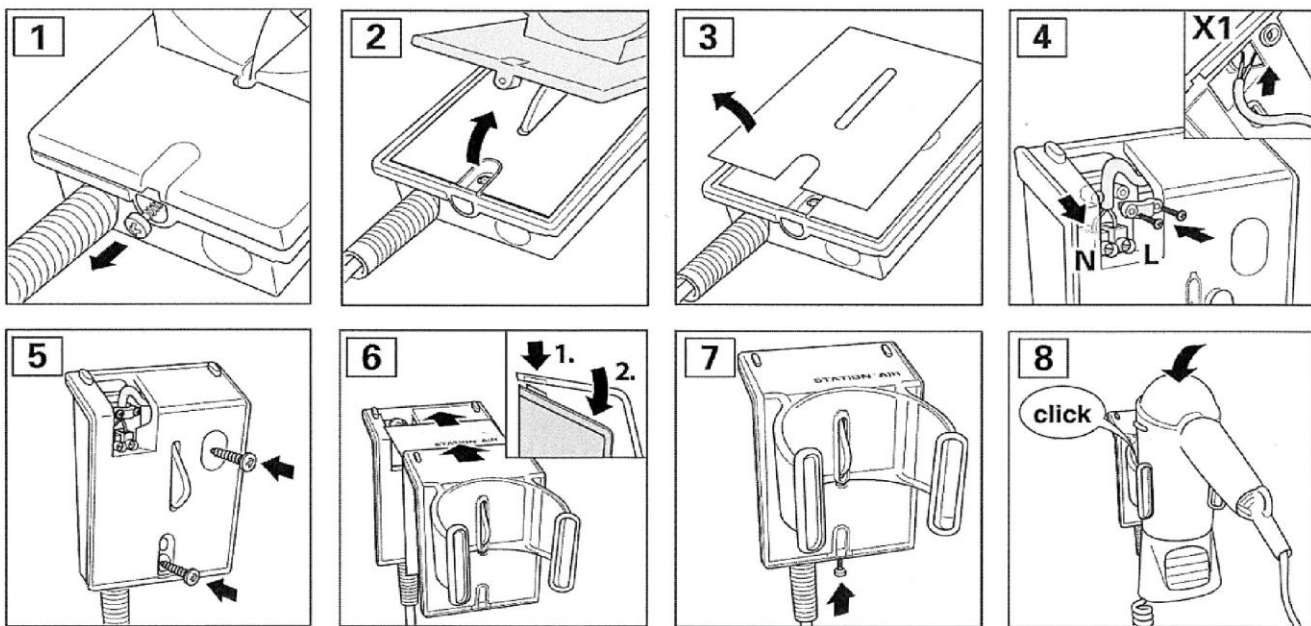
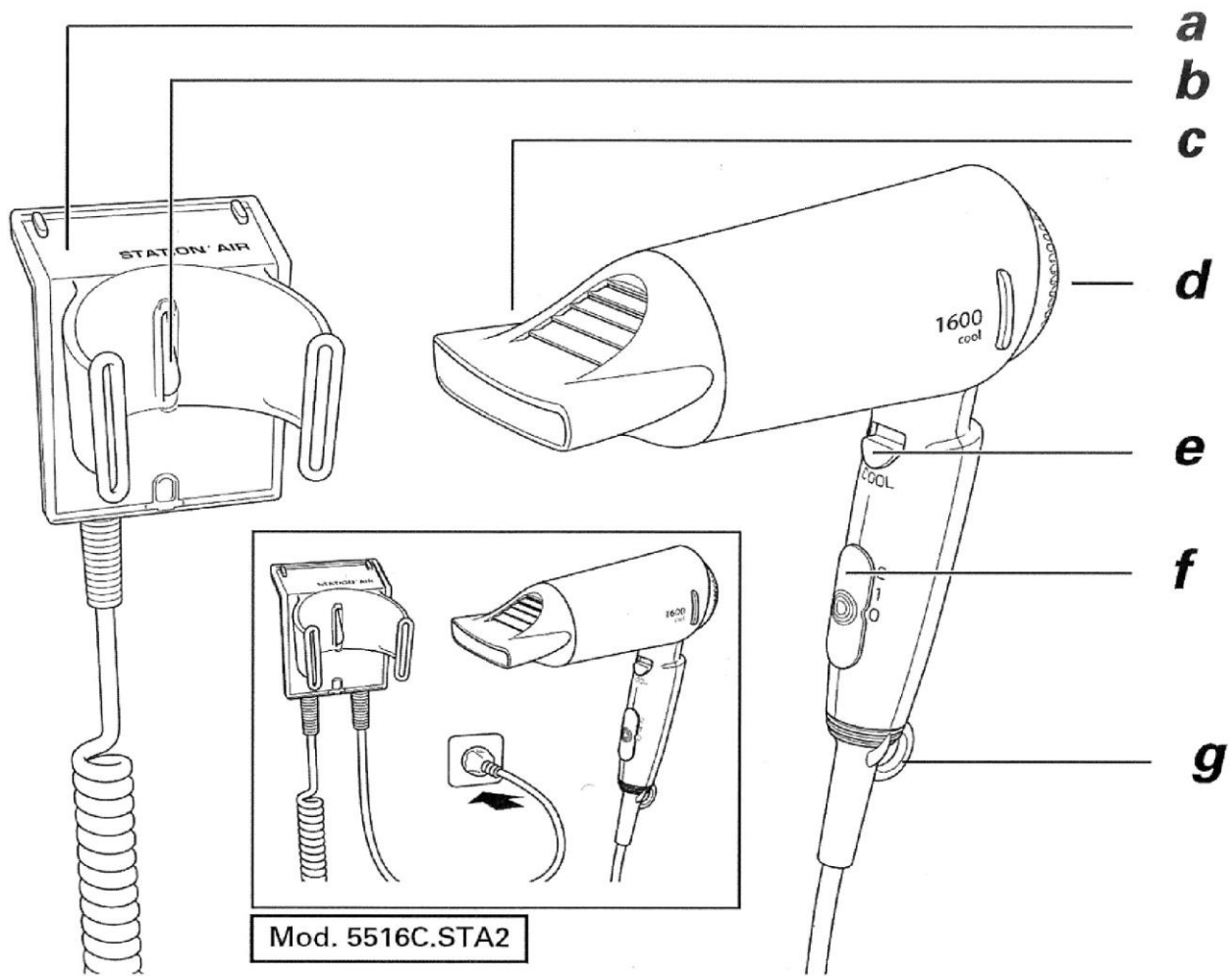
stationair wall mounted 1600w hairdryer



product codes : E005400 (UK) / E005402 (euro)

model no : 5516C.STA2 220-240V AC / 50-60Hz / class II

Ver.02/Dec 2015



For your safety



These operating instructions contain important safety information together with instructions on the proper use of this appliance.

Read these instructions carefully and in full, keep them in a safe place and pass them on to any subsequent owner.

These safety instructions are intended for your safety.

- This electrical appliance complies with all relevant EU safety regulations.
- Always use the appliance for the appropriate purpose for which it was designed.
- **This appliance can be used by children from the age of 8 up as well as by**

persons with reduced physical, sensory or mental abilities or lacking experience and / or knowledge, only if these persons are supervised or have been instructed how to use the appliance safely and have understood the hazards which could arise from using it. Children must not play with this appliance. Cleaning and user maintenance must not be carried out by children unless they are supervised.

- Keep packaging material, e.g. plastic bags, out of the reach of children.
- The appliance must be installed so that the hand-held parts, when fully extended, are out of reach of a person taking a bath or shower. **(In the UK installation of a portable appliance in a bathroom is strictly prohibited).**
- The use of a residual current device (RCD) rated

at 30mA or less will provide extra protection against the possibility of electric shock. A qualified electrician will be able to advise you.

- Always isolate the mains supply and allow to cool down :-
 - if the appliance does not function properly
 - before cleaning or maintenance
 - after every use

Safety instructions when connecting the appliance to the mains supply



DANGER

Risk of electric shock

To avoid the risk of electric shock through contact with live parts the following safety instructions must be observed:

- If the electric supply cord is damaged it should only be replaced by a service engineer appointed by the manufacturer or distributor.
- The appliance should only be installed by a suitably qualified electrician.
- The appliance must be installed out of reach of a person taking a bath or shower. **(In the UK installation of a portable appliance in a bathroom is strictly prohibited).**
- The voltage of the power source must be the same as that specified on the rating plate.
- Before use check that the appliance functions properly. The appliance should not be used if:
 - the electric supply cord is damaged
 - it shows signs of noticeable damage
 - it has been dropped

Safety instructions when operating the appliance

CAUTION

To avoid the risk of personal injury or damage to the appliance always follow the instructions for installation, use and maintenance.

- If you give the appliance to another person then you should also supply them with the operating instructions.
- Connect the appliance only to an AC supply. Do not pull the supply cord over sharp edges, clamp it in place or allow the appliance to hang by its supply cord. Keep the supply cord away from hot or damp areas
- Never wind the spiral supply cord around the appliance.
- Only insert the mains plug when the appliance is switched off.



WARNING

Do not use the appliance near bath tubs, showers, basins or other vessels containing water.



DANGER

Risk of electric shock

- Never use the appliance with wet hands, in or near the bath or shower or over a filled washbasin. If the appliance falls into water, remove the mains plug immediately or disconnect the fuse. Under no circumstances reach into the water when the appliance is still connected to the power supply.
- When the appliance is used in a bathroom, switch it off after use and replace it into the wall holder, as there is always a hazard

near water sources, even when the appliance is switched off.

CAUTION

To avoid the risk of personal injury or damage to the appliance through improper use always follow the instructions for installation, use and maintenance.

- Let the appliance cool down after use.
- Protect the appliance from direct sunlight or damp.
- The appliance is not approved or suitable for use outdoors.
- Never put the appliance on soft cushions or blankets during operation.
- Do not hold the air outlet too close to your eyes or skin.
- To avoid damaging your hair do not hold the air outlet too close.

- Do not cover the air intake or air outlet during use.
- Do not place the appliance or its supply cord on hot surfaces, e.g. cooker, or near naked flames.
- The appliance is fitted with an overload protection device which switches off in the case of an overload (e.g. air outlet or intake is blocked).
- If the appliance switches off during use, please slide the power control *f* to “0” and then wait for approx. 5 minutes before switching on again.
- Do not use the appliance for heating the room.

Safety instructions for cleaning and maintenance

 **DANGER**

Risk of electric shock

There is a risk of electric shock if the appliance comes into contact with water. Please observe the following safety instructions:

- Protect the appliance from damp.
- Never immerse the appliance in water and never put it into the dishwasher.
- Never remove the plug from the wall socket with wet hands or by pulling on the supply cord.

Appliance specifications

Name:	Stationair wall mounted hairdryer
Model no:	E005400 – UK plug E005402 – Euro plug
Mains cord :	max. 1.8 m
Power supply:	220-240V ~ / 50/60 Hz
Rated output:	max. 1600 Watt
Noise level Lp:	77,8 dB (A)
Spiral cord:	max. 2.65 m
Weight:	approx. 230 g without wall bracket and cable

Protection category: class II

CE compliance: The appliance complies with EU Directives EMC 2004/108/EC and Low Voltage 2006/95/EC.

Parts

1. Wall holder

- a. Hairdryer holder
- b. Micro switch for automatic switch-off

2. Hairdryer

- c. Styling nozzle 360° rotatable, not detachable
- d. Air inlet grille
- e. Cool shot button
- f. Power control - 2-step temperature & fan speed control
- g. Hang-up loop

Intended use

The hairdryer is **only intended for drying and styling human hair.**

No liability is accepted for any damage resulting from

use for any other purpose.
Warranty is void for damage or failure caused by negligence or misuse.

The hairdryer is not intended for professional use or use in public areas such as spas, gyms, swimming pools, etc.

Assembly (by qualified electrician only)

Connecting the wall holder to the mains supply



Risk of electric shock.

There is danger to life in case of contact with live parts. Please observe the following safety instructions:

- **The wall holder should only be connected by a qualified electrician.**
- The mains supply must be isolated prior to connection.

- The voltage of the power source must be the same as that specified on the rating plate.

Connecting the mains supply cord

Fig. 4

- Dismantle the wall holder as described in the following section “Assembly” (below).
- Disconnect the fuse and connect conductors **N** and **L** according to the markings on the terminal block of the wall holder (**see Fig. 4**).

Assembly



Risk of electric shock.

There is the risk of electric shock if the appliance comes into contact with water. Please observe the following safety instructions:

- The wall holder must not be mounted above a

washbasin, a bath tub or inside a shower cubicle.

Removing the cover

Fig. 1 – 3

- Loosen and remove the screw on the underside of the wall holder **(see Fig. 1)**.
- Swing the transparent cover upwards and remove it **(see Fig. 2)**.
- Remove the rating plate **(see Fig. 3)**.

Assembling the wall holder

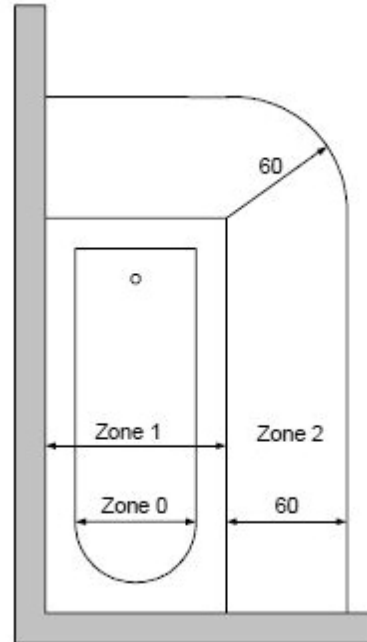


Risk of electric shock

There is the risk of electric shock if the wall holder or the appliance comes into contact with water. Please observe the following safety instruction:

- In rooms containing a bath tub or a shower (zone 0, zone 1), the wall holder may only be mounted outside zone 2, acc. to DIN

VDE 0100-701. **In the UK the appliance may not be installed in the bathroom.**



Figs. 4 - 8

- To mark the position of the drill holes hold the wall holder against the wall. **(see Fig. 5)**
- Fix the wall holder to the wall using the screws supplied. **(see Fig. 5)**

Note

For hard wiring directly to the mains supply guide the mains supply cord through

opening “X1” prior to assembly (**see Fig. 4**) and connect it to a fused spur. For further instructions please refer to the earlier section “Connecting the mains supply cord”.

Note

If not hardwired the mains plug must be connected to an earthed socket.

- Put the rating plate in position and fit the transparent cover. Then swing the cover downwards (**see Fig. 6**).
- Secure the transparent cover with the screw provided (**see Fig. 7**).
- Insert the appliance as shown in the illustration (**see Fig. 8**).

Initial use & operation

Preparing the hair

- Wash your hair and dry it thoroughly with a towel.

- Comb your hair thoroughly. Do not use hairspray or other flammable hair care products.

Drying hair

- Remove the hairdryer from the wall holder.
- The hairdryer is fitted with a 2-step temperature and fan speed control **f** and COOL SHOT button **e**. The styling nozzle **c** can be rotated as required.

CAUTION

Protection of the appliance. Improper handling can damage the hairdryer.

Temperature & fan speed settings

Switch on the appliance and select the desired temperature and fan speed setting using sliding switch **f**. Use the COOL SHOT button

to reduce the temperature according to the table below.

Switch settings

0 =	Off
1 =	Slow fan speed, 800 watts
1 + COOL =	Slow fan speed, 230 watts
2 =	Fast fan speed, 1600 watts
2 + COOL =	Fast fan speed, 460 watts

Cool Shot

With the COOL SHOT button you can lower the air temperature to cool hair that has already been dried in order to set your hair to the desired style. The COOL SHOT button can be locked in position.

WARNING

Risk of burning hair if selected temperature is too high

Cleaning and care



DANGER

Risk of electric shock

To avoid the risk of electric shock from live parts please follow these safety instructions.

- Before cleaning, disconnect the appliance from the mains.
- Never immerse the appliance in water.

WARNING

Danger of burns from hot components

Parts of the appliance can be very hot and may cause burns even after it has been switched off. Allow the appliance to cool down fully before cleaning.

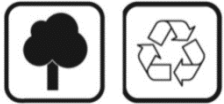
CAUTION

Please observe the following safety instructions :

- Protect the appliance from dust, dirt and fluff.
- Do not use sharp or abrasive cleaning agents.

- Clean the appliance with a slightly damp cloth and dry with a soft dry cloth.

Environmental protection



The appliance and its packaging materials are made of materials that can be recycled.

Correct separation and disposal of waste materials helps reduce the impact on the environment.

Disposal



This symbol on the appliance, operating instructions or packaging indicates that this appliance, at the end of its useful life, may not be disposed of as normal household waste. It must be disposed of at a collection point specifically

designated for the recycling of electric and electronic appliances. Materials must be recycled according to their classification. Through the correct disposal of the appliance and packaging materials you are making a valuable contribution towards the protection of the environment.

Please ask your local authority for a list of appropriate recycling points.

Aslotel producer registration number:

WEE/EJ0060TU

Guarantee

In addition to your statutory rights, Aslotel guarantee the appliance to be free from manufacturing and component defects for a period of 12 months from date of purchase. The guarantee does not cover faults due to misuse or damage caused by negligence or failure to follow these instructions.

Service

Should the appliance fail to operate check that the supply fuse is not blown and that the mains supply is switched on. If the appliance still does not work please contact our technical helpline on the number below. Please note that the appliance contains no consumer serviceable components so please do not attempt to repair it yourself.

*Technical Helpline : +44
(0)1372 362533
Monday – Friday 9am to
5.30pm
E-mail : asl@aslotel.co.uk*

aslotel

relationship • experience • choice

aslotel (2000) limited, pebble close, tadworth,
surrey KT20 7PA
tel +44 (0)1372 362533 fax +44 (0)1372 362284
e-mail asl@aslotel.co.uk www.aslotel.co.uk

