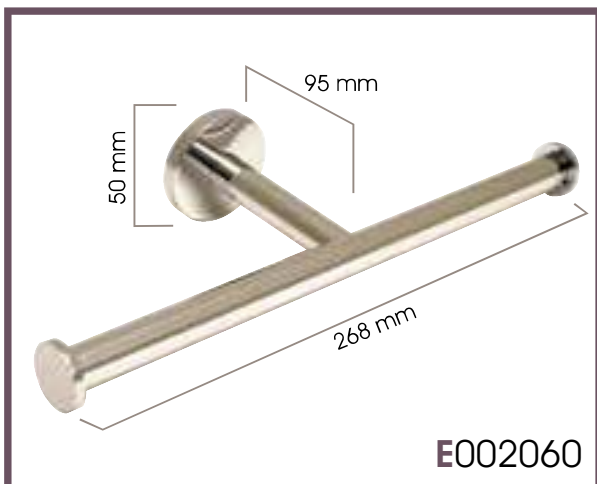


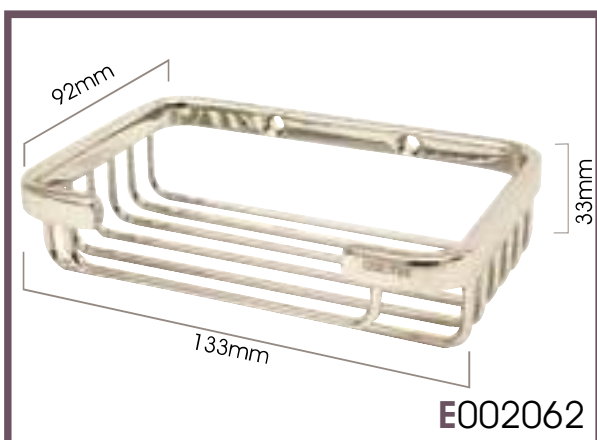
aslotel chrome bathroom fittings



E002059 – single robe hook



E002060 – double toilet roll holder



E002062 – rectangular soap basket

technical information

dimensions (mm):

as shown

construction: brass with chrome plating

warranty: one year from date of purchase on faulty parts

Care & Maintenance: Clean with a dry, non-abrasive cloth. **DO NOT** use abrasives or solvents.

e-cloth For a sparkling finish aslotel recommends their 'e-cloth professional' to remove bacteria, dirt and grease. See our e-cloth section.