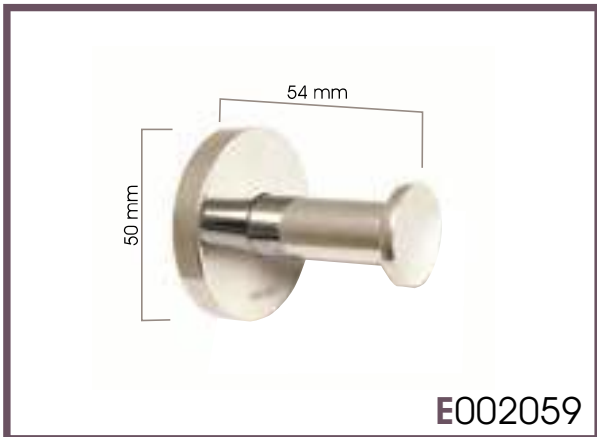
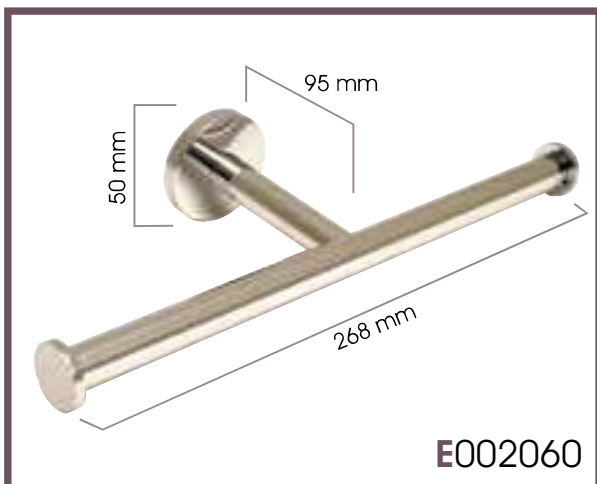


## aslotel chrome bathroom fittings



**E002059** – single robe hook



**E002060** – double toilet roll holder

**E002062** – rectangular soap basket

### technical information

**dimensions** (mm):

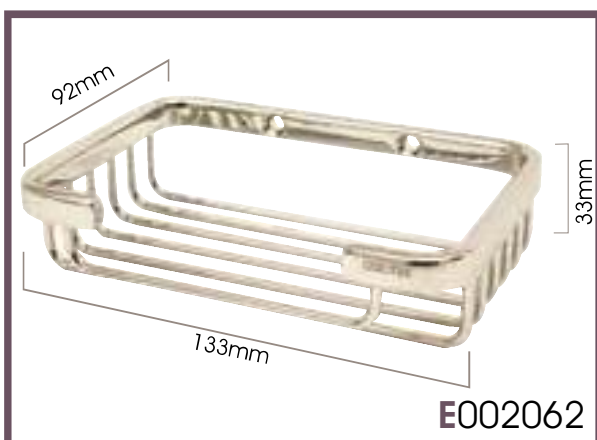
as shown

**construction:** brass with chrome plating

**warranty:** one year from date of purchase on faulty parts

**Care & Maintenance:** Clean with a dry, non-abrasive cloth. **DO NOT** use abrasives or solvents.

**e-cloth** For a sparkling finish aslotel recommends their 'e-cloth professional' to remove bacteria, dirt and grease. See our e-cloth section.



aslotel  
own brand product