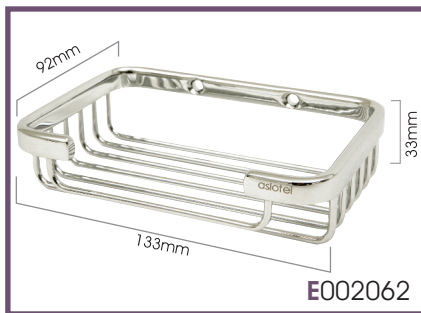
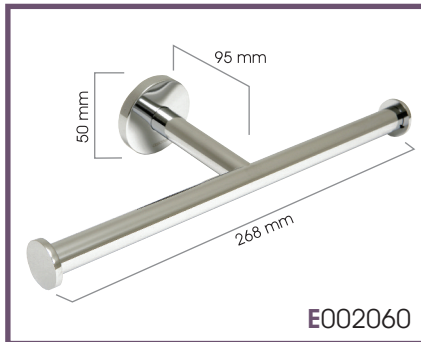


# aslotel chrome bathroom fittings



**E002059** – single robe hook

**E002060** – double toilet roll holder

**E002062** – rectangular soap basket

## technical information

**dimensions** (mm):  
as shown

**construction:** brass with chrome  
plating

**warranty:** one year from date of  
purchase on faulty parts

**Care & Maintenance:** Clean with a dry, non-abrasive cloth. **DO NOT** use abrasives or solvents.