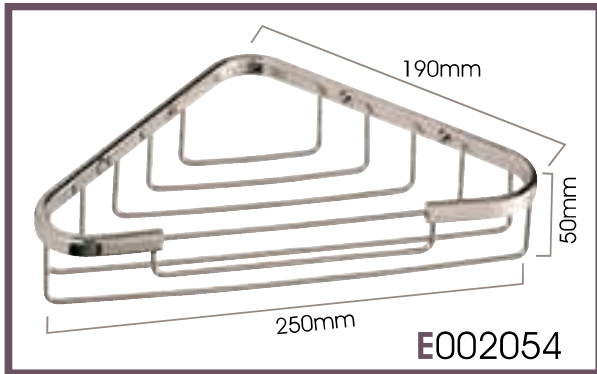
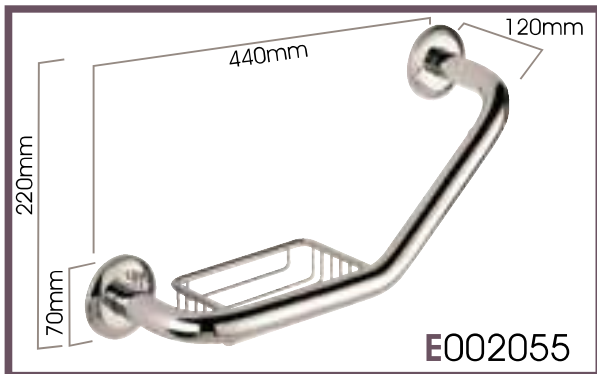


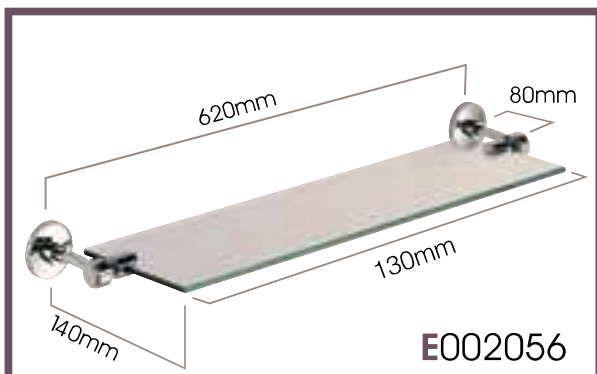
aslotel chrome bathroom fittings



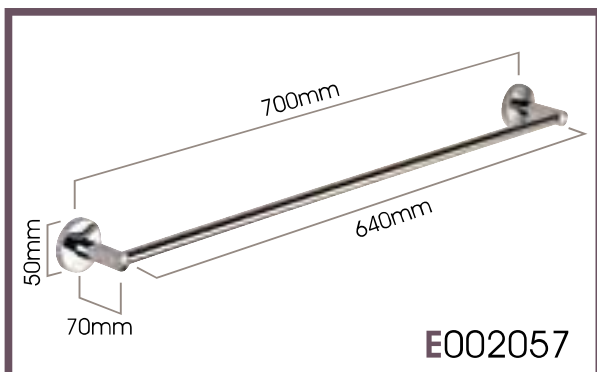
E002054 – corner soap basket



E002055 – angled grab bar with soap basket



E002056 – glass shelf with chrome brackets 130mm



E002057 – towel rail

technical information

dimensions (mm):

as shown

construction: brass with chrome plating

warranty: one year from date of purchase on faulty parts

Care & Maintenance: Clean with a dry, non-abrasive cloth. **DO NOT** use abrasives or solvents.

e-cloth professional For a sparkling finish aslotel recommends their 'e-cloth professional' to remove bacteria, dirt and grease. See our e-cloth section.

aslotel
own brand product